

# Gel joint Break

Fastest way to make an underground connection!

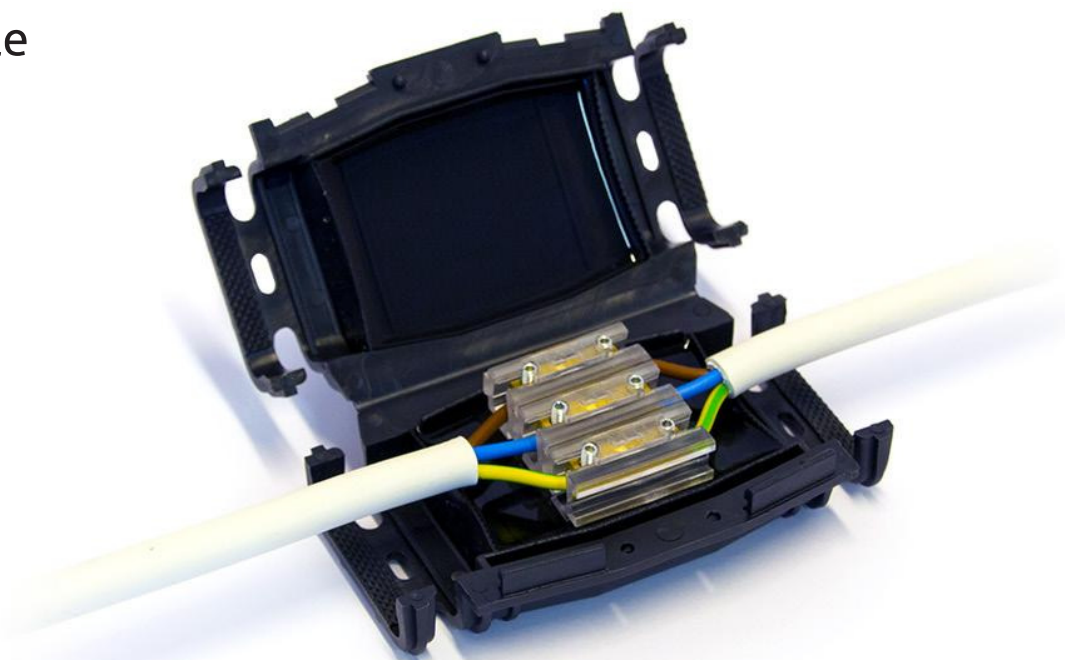
**No expiration  
date**

**5 years  
warranty**

Re-enterable  
connection

**IP68**

Made in  
**Italy**



Gel joints series is suitable to guarantee insulation of low voltage main and shunted, single-pole and multi-pole connections ranging from 0.6/1 kV.

The list of products is made up of a series for main connections and a series for shunted connections. The first series allows single-pole and multi-pole connections with max. section respectively of 1x185 mm<sup>2</sup> and 4x25 mm<sup>2</sup>; the second series allows single-pole and multi-pole shunted connections with max. section respectively of 1x120 mm<sup>2</sup> e 4x10 mm<sup>2</sup>.

The insulation phase in each joint is made with a separator included in the kit or with the innovative modular insulated terminals, up to five phases with max. section of 35 mm<sup>2</sup>.

### Technical specifications

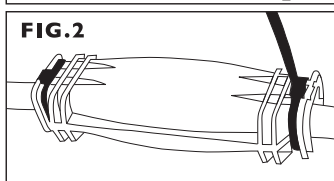
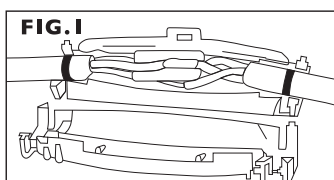
- Protection degree IP68
- Operating temperature from -20 °C to +90 °C

### Regulations compliance

- EN 50393 (0.6/1 kV)
- EN 60529
- RoHS Directive 2011/65/EC
- 20-37/2-1, 20-37/7
- EN 60695-2-11



Break 25	Break 30	Break 50	Break 50Y	Break 100
MBG0025A24	MBG0030A24	MBG0050A24	MBG0050Y24	MBG0100A24



### Installation instruction

1. Remove the cables and strip the conductors
2. Crimp the conductors
3. Immerse the conductors in the gel pressing the cables on the entry and exit points in order to make easier the breaking of the breakable walls
4. Fix the cables with the cable ties supplied with the kit (Fig.1)
5. Snap-close the jointing-box and check the effective escape of the gel from the extremes of the joint beside the cables. If not, open again the joint and insert some cut-down sheathing previously removed from the cable
6. Fasten the lock with the supplied clips with the kit (Fig.2)



**Components and characteristics**

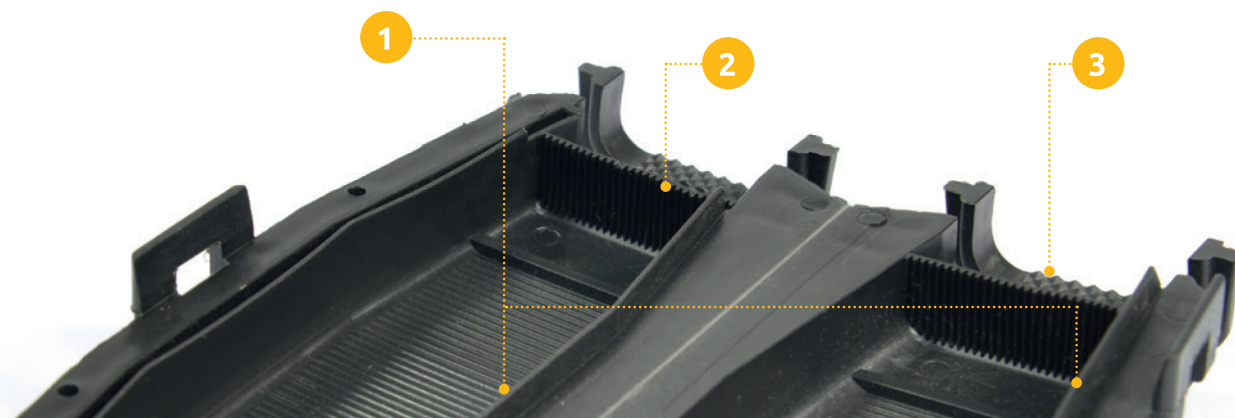
- Two polypropylene hinged shells with patented water tight system, made up of a longitudinal ribbing (1) functioning as the gel containing bulkhead. At both ends there are pre-fractured walls (2) that allow gel overflowing, ensuring a good water tightness.
- Wire slipping is avoided in longitudinal direction thanks to ribbing (3) at the ends of the shells and in transversal direction thanks to wire fixing with tie-wraps included in the package.
- Patented separator made up of two notched plates that allow a reciprocal jointing and two protrusions that block the plates.
- There are two holes at the ends of each model in order to insert and fix tie-wraps. Joint opening can occur only using a tool according to norm CEI 64-8.

**Advantages**

- Re-enterable connection
- High mechanical strength with wide range of operating temperature
- Fast laying
- Cross-linked gel in the two shells (avoiding additional casting)
- Versatility of application, even in submerged conditions
- High watertight properties
- High dielectric strength
- Non sliding wires
- High strength against chemical agents or UV rays
- No expiration date

**Kit content\***

- Shell
- Tie-wraps
- Separator



Order code	Type	Connection type	Main (mm <sup>2</sup> )		Shunted (mm <sup>2</sup> )		Main (mm <sup>2</sup> )		Shunted (mm <sup>2</sup> )		Main (mm <sup>2</sup> )		Shunted (mm <sup>2</sup> )		Main (mm <sup>2</sup> )		Shunted (mm <sup>2</sup> )		Package (pcs)	Dimension (mm)			
			Min.	Max.	Min.	Max.	Min.	Max.	Min.	Max.	Min.	Max.	Min.	Max.	Min.	Max.	Min.	Max.		A	B	C	
MBG0025A24	Break 25	Main wiring	1.5	25	-	-	-	-	-	-	-	-	-	-	-	-	-	-	-	4	70	42	24
		Branching wiring	1.5	25	1.5	10	-	-	-	-	-	-	-	-	-	-	-	-	-				
MBG0030A24	Break 30	Main wiring	1.5	50	-	-	1.5	10	-	-	1.5	4	-	-	1.5	2.5	-	-	5	100	59	34	
		Branching wiring	1.5	50	1.5	35	-	-	-	-	-	-	-	-	-	-	-	-					
MBG0050A24	Break 50	Main wiring	10	120	-	-	6	16	-	-	1.5	10	-	-	1.5	10	-	-	3	165	62	36	
		Branching wiring	10	70	1.5	35	1.5	10	1.5	6	1.5	10	1.5	4	1.5	6	1.5	4					
MBG0100A24	Break 100	Main wiring	35	185	-	-	16	50	-	-	4	25	-	-	6	25	-	-	1	220	100	50	
		Branching wiring	25	150	10	120	10	35	6	25	4	16	2.5	4	6	16	2.5	10					
MBG0050Y24	Break 50Y	Main wiring	-	-	-	-	-	-	-	-	-	-	-	-	-	-	-	-	1	180	105	36	
		Branching wiring	6	70	2.5	50	1.5	25	1.5	16	2.5	16	1.5	10	2.5	16	1.5	10					